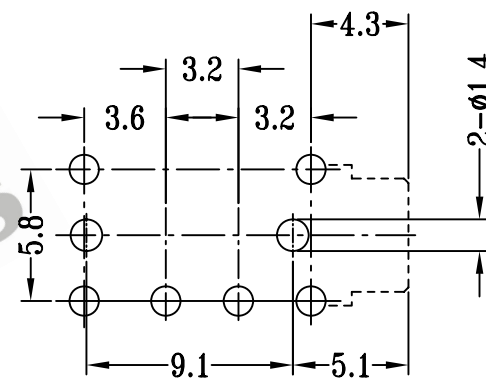
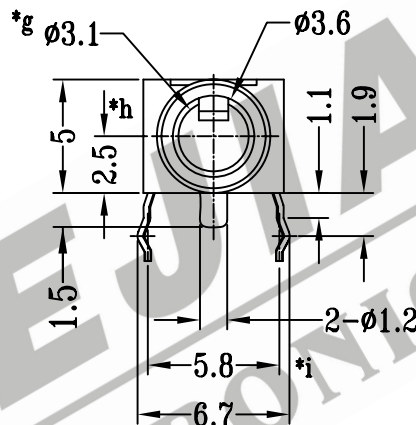
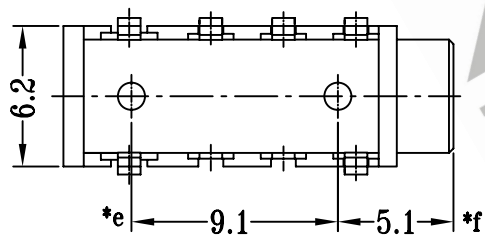
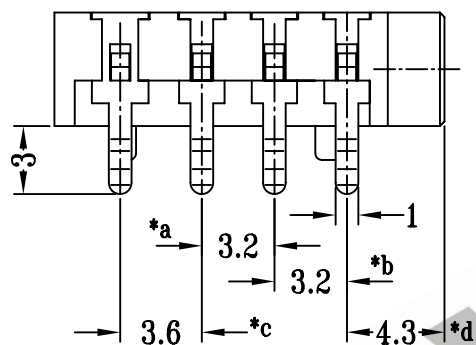
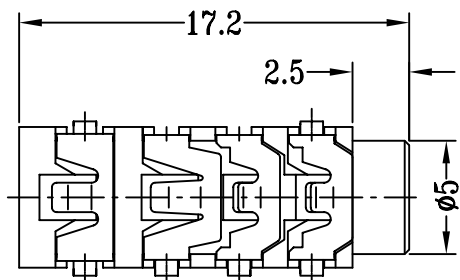
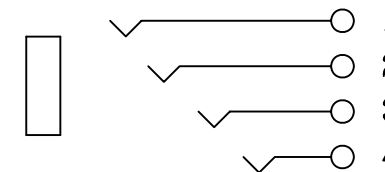


CAD FILE:



P.C.B LAYOUT



SCHEMATIC

注:带"*"表示关键尺寸(9个)

8					TOLERANCE UNLESS SPECIFIED	SHENZHEN XIEJIA ELECTRONICS CO.,LTD.				
7										
6					WITHIN: 1.5±0.1mm	ISSUE	DATE	DESCRIPTIONS OF REVISION		APPD.
5	TERMINAL D	PBS STRIP	1	Ag PLATED OVER Ni PLATED	OVER: 1.5±0.2mm					
4	TERMINAL C	PBS STRIP	1	Ag PLATED OVER Ni PLATED	TITLE : PHONE JACK	UNIT : mm	DRWG NO.: XJ-DR-ST013-00			
3	TERMINAL B	PBS STRIP	1	Ag PLATED OVER Ni PLATED						
2	TERMINAL A	PBS STRIP	1	Ag PLATED OVER Ni PLATED	MODEL: ST-013	SCALE: 3 : 1	DWN.	ZHOUYU	2003-6-3	
1	CASE	NYLON+F.G+94V0	1	GREEN			CHK'D	FANGYING	2003-6-3	
NO.	PARTS	MATERIALS	Q'TY	FINISH	ALL MATERIALS MUST BE COMPLIANT TO ROHS		APPD.	KANGXINAN	2003-6-3	